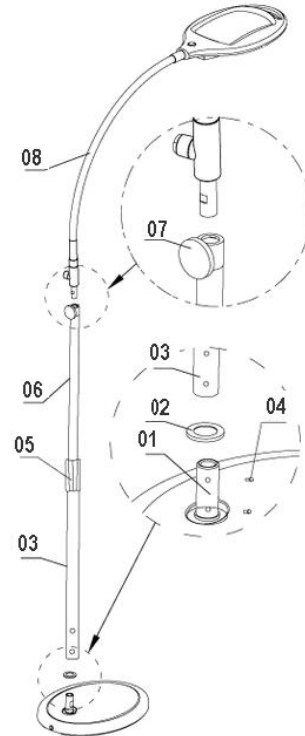


MA-1008 LED MAGNIFIER FLOOR LAMP

Thank you very much for purchasing Pro'sKit MA-1008 LED Magnifier Floor Lamp. This product is ideal for reading , precision maintenance , hobby , beauty salon , nails painting , quality control inspection. Before using, please read the following instructions :



Removable cover for dust free



Part List	
01	Base
02	Washer
03	Outer tube
04	M4*8 Hex screw
05	Hollow beam
06	Inner tube
07	Knob
08	Lamp

• Energy saving

Comes with 42 SMD LEDs which provide bright lighting and 7W consumption

• Up to 50,000 hours, 20 X longer lifetime

The LED features long lifetime up to 50000 hours, is 20 times longer lifetime than incandescent lamp.

• Zero electromagnetic interference

Comes with switching adapter, more environment friendly and provides even more stable performance.

• Easy positioning

The adjustable arm allows angling and pointing the light to where you need.

• 3 D (1.75x) glass lens

Designed with large glass lens, provide high transmission for excellent view.

• Come with flood stand

How to use :

1. The arm which connect the base can be higher and lower base on your require, can make it at the suitable position before use.
2. Assemble the base and the outer tube with the screw, insert inner tube to the outer tube.
3. Insert the lamp into the arm and fix it with knob.
4. Connect the adapter and the lamp.
5. Insert the plug into a conveniently located electrical socket.
6. Switch on using the ON/OFF switch located on the surface of the base.
7. To place the head in the desired position.

Specifications:

Model no.	MA-1008A	MA-1008F
Light source	42PCS SMD LED	
Power Consumption	7W	
Color	6000-7000 kelvin	
Lumen	around 450Lumen	
Diopter	3D(1.75X)	
Lens material	Glass	
Lens size	100 x 167mm	
Voltage	110-120VAC / 50-60Hz	220-240VAC / 50-60Hz
Output	DC21V , 0.26A	
Plug Type	A Type	F Type
Standard mount	FLOOR LAMP	
Standard accessories	1.Dust Cap. 2.Hex key : H4.0x65x22 mm 3.Adaptor	

Caution for safe using :

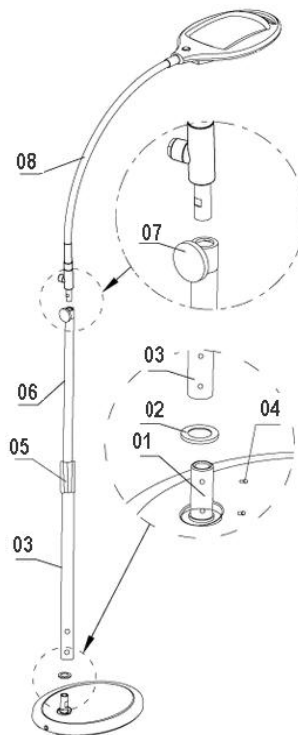
1. Indoor use only.
2. Environment temperature:-10°C~40°C.
3. Humidity:≤95%.
4. Never disassemble the magnifier lamp unless you are a qualified electrician.
5. Plug must be taken out while repairing the magnifier lamp.
6. Never leave the lens unattended in direct sunlight or where light can shine through it. This constitutes a fire hazard.
7. If the external flexible cable or cord of this magnifier lamp is damaged, it shall be exclusively replaced by the manufacturer or service agent in order to avoid a hazard.

MA-1008 LED 3D 放大鏡立燈

非常感謝您購買 Pro'sKit 的 LED 3D 放大鏡立燈。本產品可用於閱讀、小型 DIY 作品加工 精密加工、美容沙龍、指甲彩繪、產品檢驗等。使用前，請閱讀以下說明：



配備防塵罩



零件清單	
01	底座
02	墊片
03	外管
04	M4*8 六角螺絲
05	空心管
06	內管
07	旋鈕
08	萬向軟管

• SMD LED 節能省電 80%

使用 42 顆高亮度白光 SMD LED 燈，僅 7W 耗電量，較傳統 LED 更明亮，比白熾燈泡省電節能 80%

• 使用壽命增長 20 倍達 50000 小時

每顆燈泡可使用最高達 50000 小時，擁有比白熾燈泡長 20 倍壽命，是傳統螢光燈管的 5~7 倍壽命

• 低電磁波

產品配備直流交換式電源供應器，更安全且低電磁波，更加環保健康

• 萬向軟管設計

可調式轉臂設計，無論那個位置、角度、高度都可輕鬆調整，使用方便，更安全耐用

• 3D (1.75x) 光學玻璃大鏡面設計 100X167mm

採用 3D(1.75X)放大倍率高透光大鏡面玻璃鏡片，無論閱讀、觀察、檢驗或是組裝細小模型都適用

• 落地式設計

具有穩固的底座，可 180 度旋轉彎曲燈頭，便於在沙發床邊看書報或工作台都非常方便使用

如何使用：

1. 本產品可任意調整高度及角度，使用者可依需求調整至所需位置，滿足客戶閱讀、手工藝、美容沙龍、品質檢驗等需求。
2. 將底座與墊片、外管以螺絲鎖附，通心管套上外管，將內管套入外管後，旋緊空心管。
3. 將旋鈕套上內管，萬向軟管插入內管後旋緊旋鈕。
4. 將適配器插入放大鏡燈。
5. 將適配器插頭插入插座。
6. 打開電源開關即可使用。

注意事項：

1. 僅限室內使用。
2. 環境溫度：-10°C~40°C。
3. 環境濕度：≤95%。
4. 若非合格工程人員請勿拆解放大鏡燈。
5. 維修前請先移除插頭。
6. 請勿將放大鏡置放於陽光能直射或其它強光照射的地方，以免引起火災。不使用時請加上防塵罩。
7. 若發現電源線材損壞，請連絡當地經銷商確認更換事宜，勿自行維修以避免危險。

產品型號	MA-1008A	MA-1008F
光源	42PCS SMD LED	
消耗功率	7W	
色溫	6000-7000 克爾文	
亮度	約 450 流明	
屈光度/放大倍率	3D(1.75X)	
放大鏡材質	光學玻璃	
鏡面尺寸	100 x 167mm	
電壓	110-120VAC / 50-60Hz	220-240VAC / 50-60Hz
工作電壓	DC21V, 0.26A	
插頭型式	A Type	F Type
配件	1.防塵罩 2.變壓器 3.六角板手：H4.0x65x22 mm	



寶工實業股份有限公司
PROKIT'S INDUSTRIES CO., LTD
<http://www.prokits.com.tw>
Email: pk@mail.prokits.com.tw